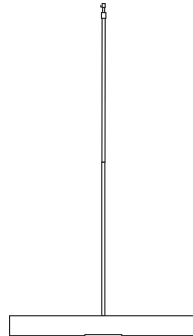
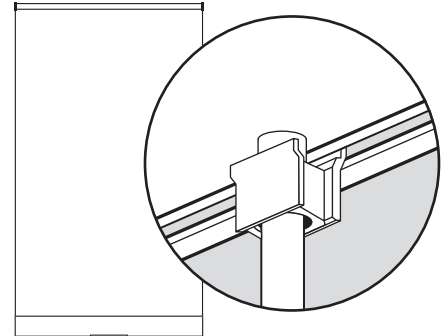
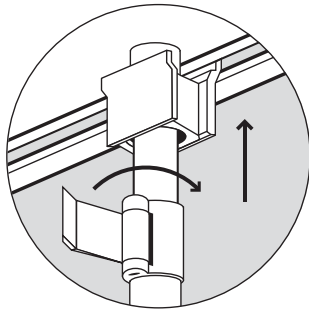


## Items In Bag:

**A:** Display Base Unit**B:** Telescopic Pole

## Setup Instructions:

**Step 1:** Place base on floor.**Step 2:** Assemble telescoping pole and insert into hole located on the base.**Step 3:** Pull graphic out of base and fasten onto top of pole.**Step 4:** Extend telescoping pole and lock in place. Pull graphic up from opposite side and fasten to pole.**Step 5:** Complete. To close, unfasten top hook and firmly grip while gently retracting.**Step 6:** Optional Light Kit: Clamp light onto pole. Center light over graphic.