

Dash Mini



features & benefits

An excellent choice for a tripod banner stand, the Dash is manufactured of anodized aluminum. It is very stable and is quick and easy to erect. It is available as a single sided banner stand or add an extra set of rails for a double sided banner stand. Carry bag is included.

Silver: DSH-M-1

Silver: DSH-M-2

hardware specifications

Width	31.5" (800mm)
Max Height	84" (2133mm)
Depth	
Footprint	20" x 18" (508mm x 457mm)

graphic specifications

Graphic width:	31.5" (800mm)
Max graphic height up to:	78.5" (1994mm) Plus Bleed
Max graphic with Literature Attachment:	height: 64" (1626mm) Plus Bleed width: 31.5" (800mm)
Recommended Substrate:	Dye-sub material, Vinyl, Scrim Vinyl, Flag material

additional info

Unit & Bag Weight:	6.95 lbs.
Shipping Weight:	10 lbs.
Shipping Dimensions:	48" x 8" x 8" (1219mm x 203mm x 203mm)
Bag Dimensions:	40.5" x 6.75" dia. (1029mm x 172mm dia.)
Bag Material:	Black Nylon with red straps and padded ends
Literature Attachment:	An optional 3 pocket literature dispenser is available. Each pocket is 10"w x 12"h (254mm x 305mm). Unit size: 31.25"w x 12.5"h (794mm x 317mm)

Assembly Instructions



Unzip bag and remove cap, then remove graphic and unit from



Remove unit from black bag.



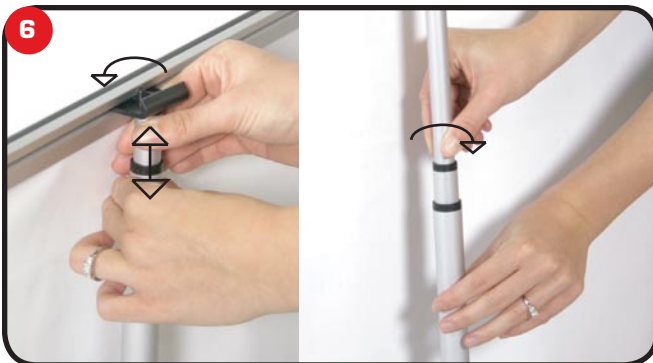
Remove plastic bags from legs of the unit and protective covering from the base.



Attach legs to the base of unit, then stand unit upright.



Attach top graphic rail to the top of the unit and let the graphic hang down.



Twist top pole to loosen and raise graphic then twist top pole to tighten in place. Then repeat with the middle pole.

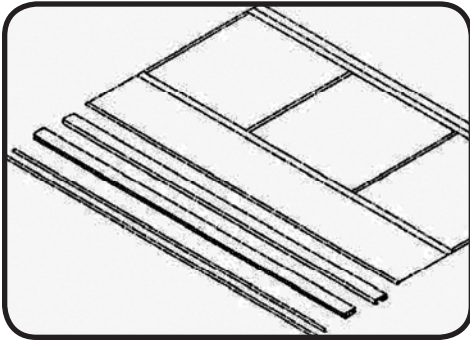


Attach bottom graphic rail to bottom rail fitting.

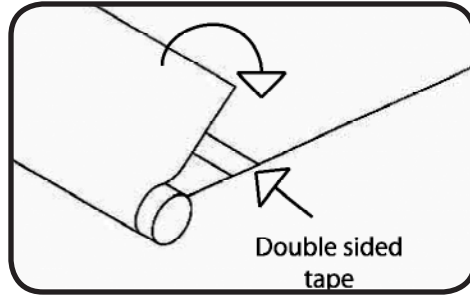


Put tension on graphic and tighten screw on bottom rail fitting

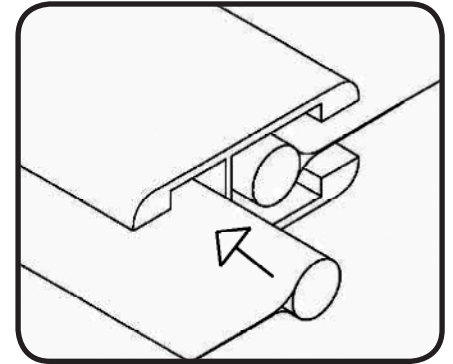
Optional Literature Pocket



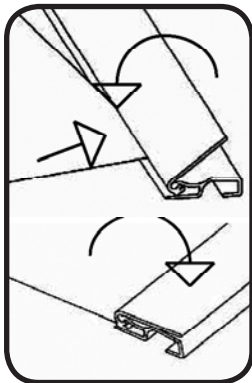
Remove the system from the outer packaging and carry bag.



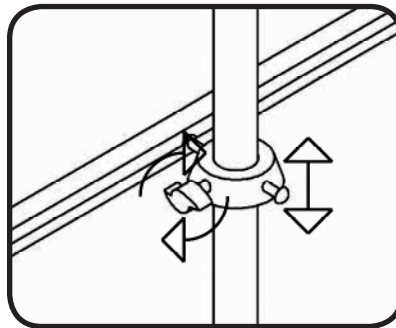
Place double sided adhesive tape on back of graphic near bottom. Place plastic graphic rod at bottom end of graphic. fold over graphic and stick to double sided tape to create a loop.



Take one cap off a side of the center graphic holder. Slide literature pocket and graphic with the plastic graphic rod in them into the center graphic holder. Replace caps.



Slide bottom of literature pocket into the graphic holder. (Make sure you change the back rail for thicker graphics,



Turn thumb screw on bottom graphic fitting to adjust graphic length.

