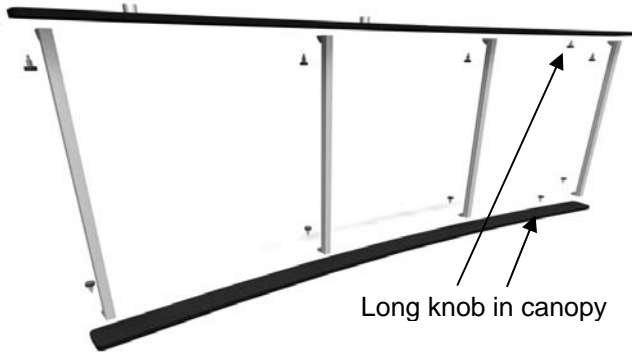


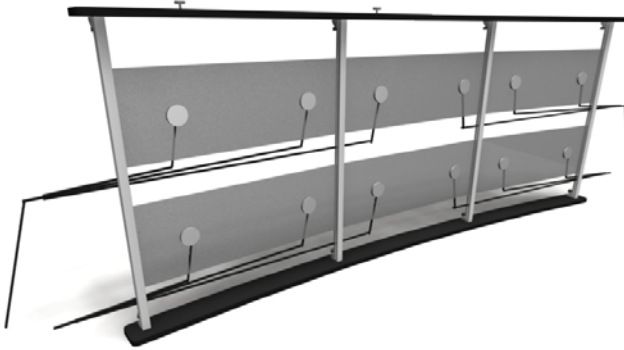
# exhibitone

## exb.V backwall assembly instructions

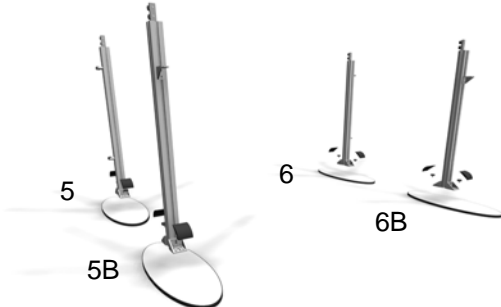
**Steps 1-3.** Attach extrusions to canopy using 2 **long** knobs per extrusion. Attach canopy halves using black plastic latches. Attach standoffs. Insert **long** knobs in canopy as shown in upper and lower right.



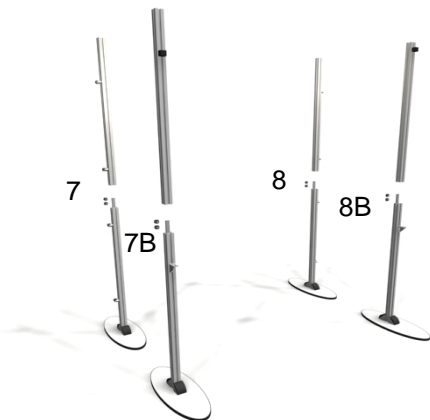
**Step 4.** Insert plex w/ pre-installed puck lights. Attach one 3-way power splitter to left 3 lights and one to right 3 lights.



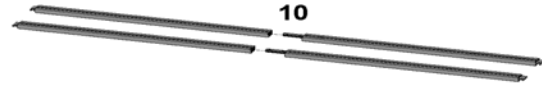
**Steps 5, 5B, 6 & 6B.** Attach lower columns to bases using 2 **short** thumb knobs per column. Install gusset caps.



**Steps 7, 7B, 8 & 8B.** Attach lower columns to upper columns using 2 **short** thumb knobs.

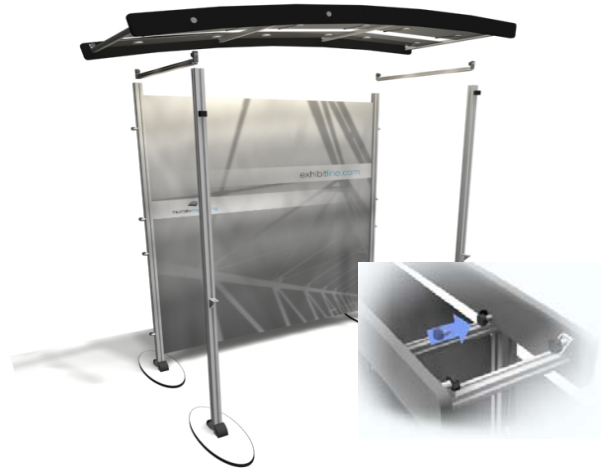


**Step 9.** Connect upper and lower graphic hangers. Slide upper and lower graphic hangers into graphic and hang



graphic.

**Step 10.** Slide canopy supports onto columns and tighten **short** knobs. Place canopy onto supports.



**Step 11.** Attach counter legs to counters using 1 **long** knob per leg.



**Step 12.** Attach counters to backwall from underneath using 1 **long** knob per counter. Attach legs to bases using 1 **long** knob per leg. Attach wings using **nylon tipped** knobs. Attach header using metal standoffs.

