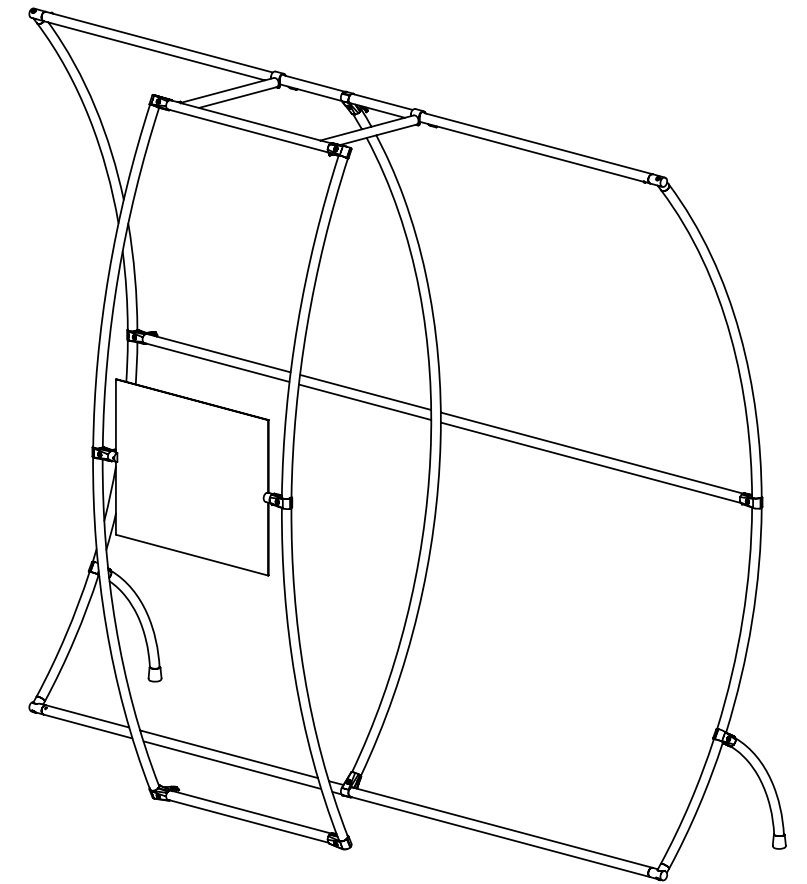
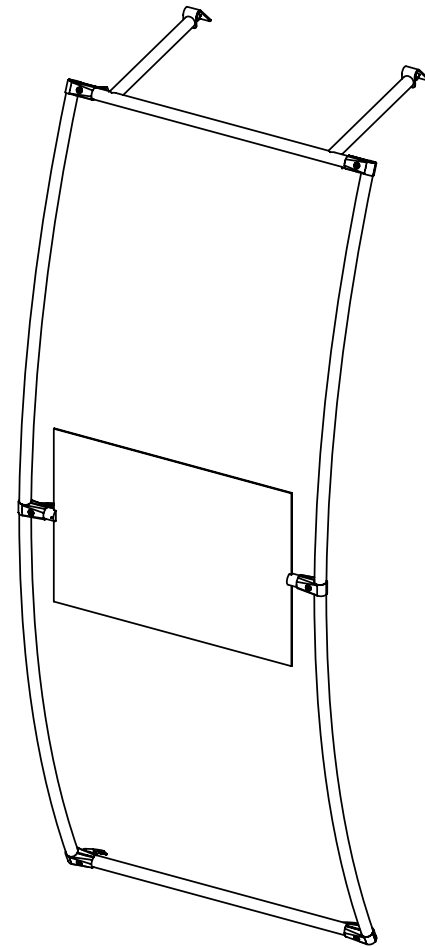


Projection Screen Bracket



Parts List:

For one unit shown:

- (1) Assembled standoff
- (1) Assembled back wall
- (1) Extended Horizontal proj. screen tube w/ connectors
- (2) Soft tip sets screws

horizontal projection screen bracket

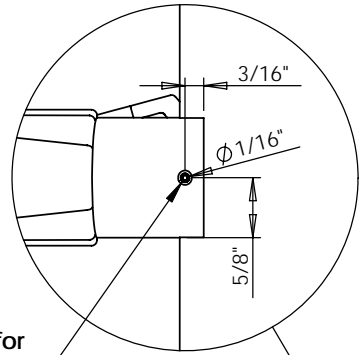
ENTASI



8 7 6 5 4 3 2 1

D

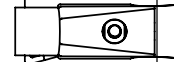
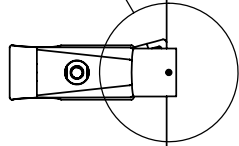
D



counter sink hole for #4-40 soft tip set screw

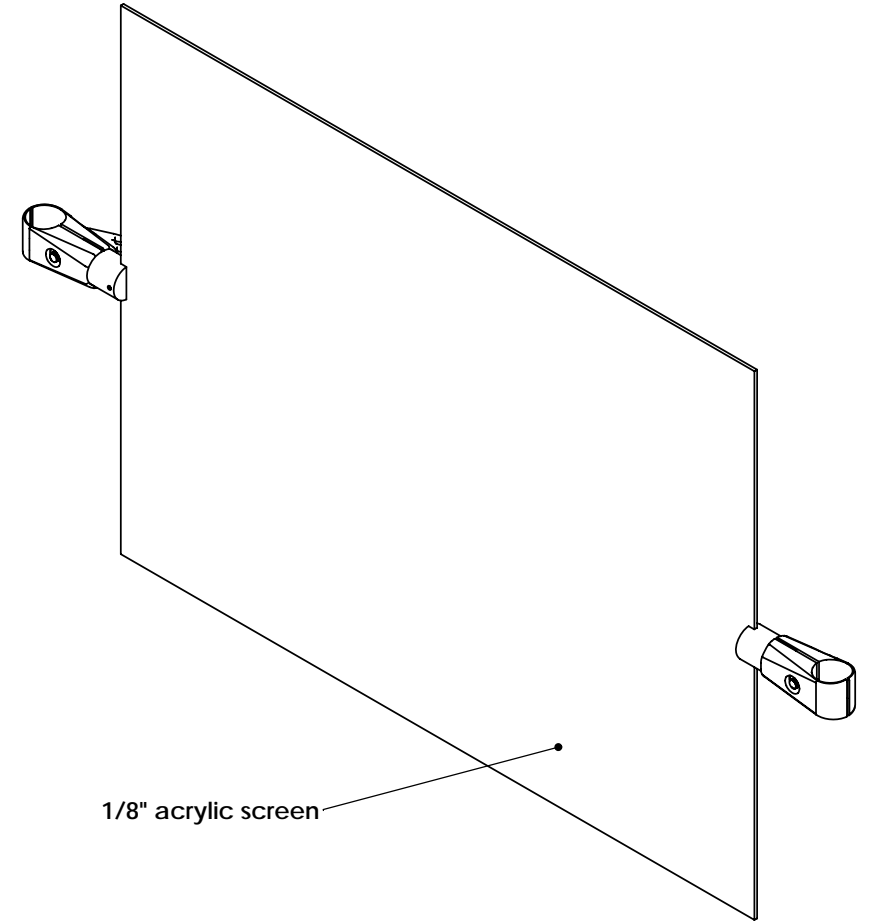
C

C



28"

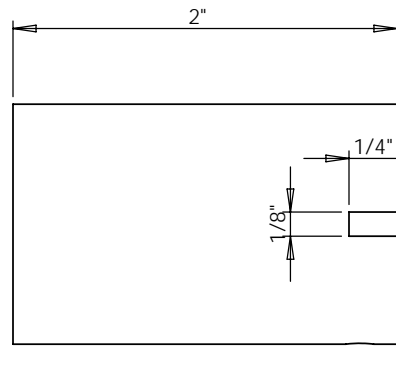
21"



1/8" acrylic screen

B

B



notch for screen

DO NOT rivet connectors

A

A

Nichols Inc

Job #

Initials

Date

TM

Extended horizontal projection screen

PROPRIETARY AND CONFIDENTIAL

THE INFORMATION CONTAINED IN THIS DRAWING IS THE SOLE PROPERTY OF Nichols Inc. ANY REPRODUCTION IN PART OR AS A WHOLE WITHOUT THE WRITTEN PERMISSION OF Nichols Inc. IS PROHIBITED.

SIZE
B

DWG. NO.
001

REV
1

SCALE: 1:50

WEIGHT:

SHEET OF

8 7 6 5 4 3 2 1

8 7 6 5 4 3 2 1

D

C

B

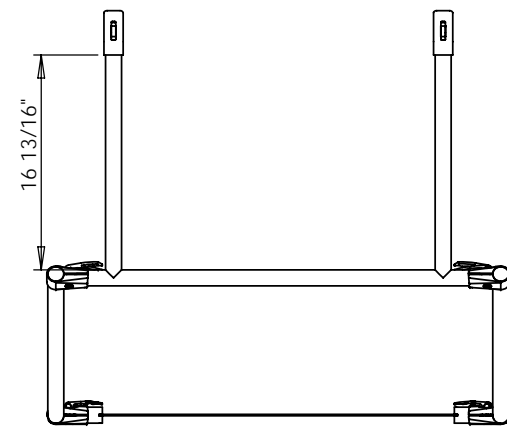
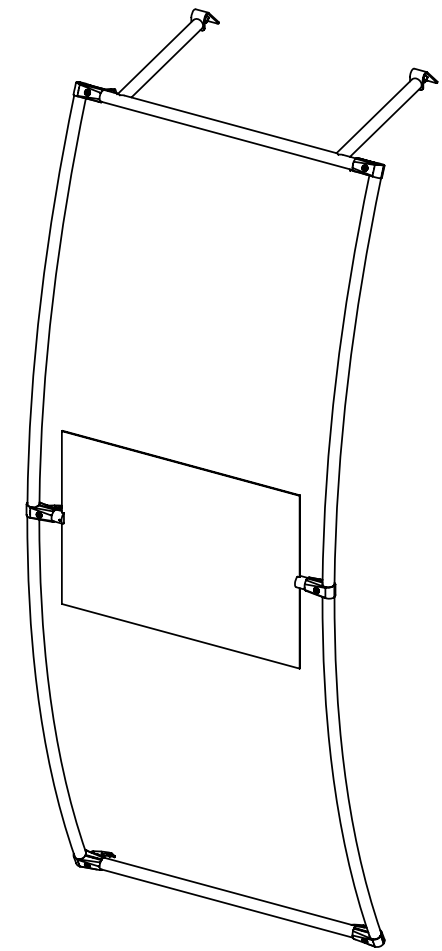
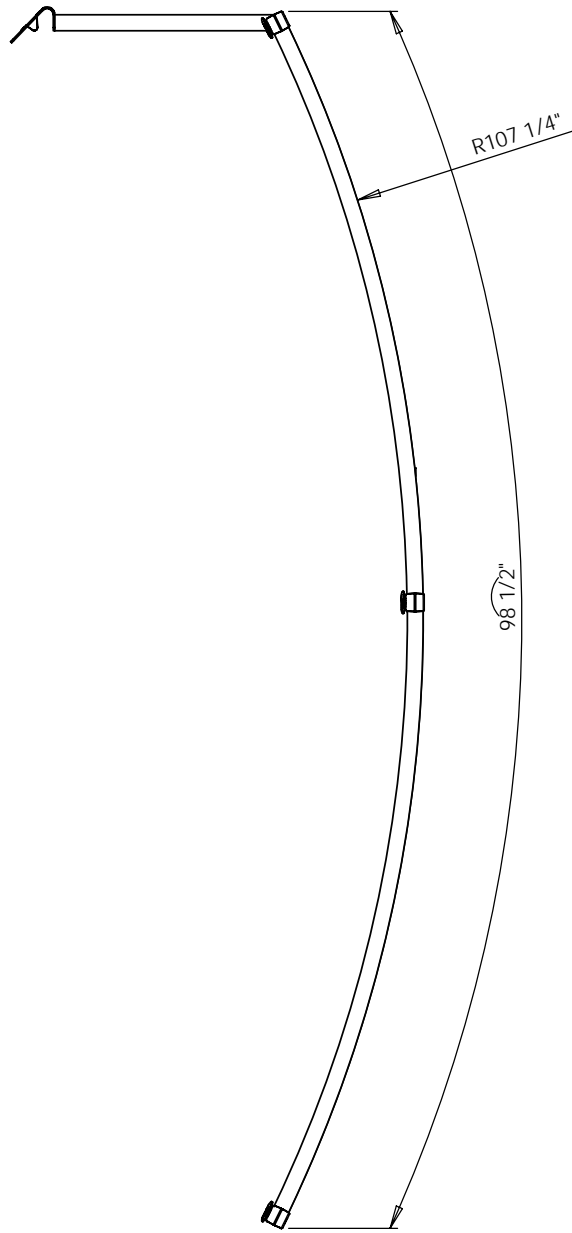
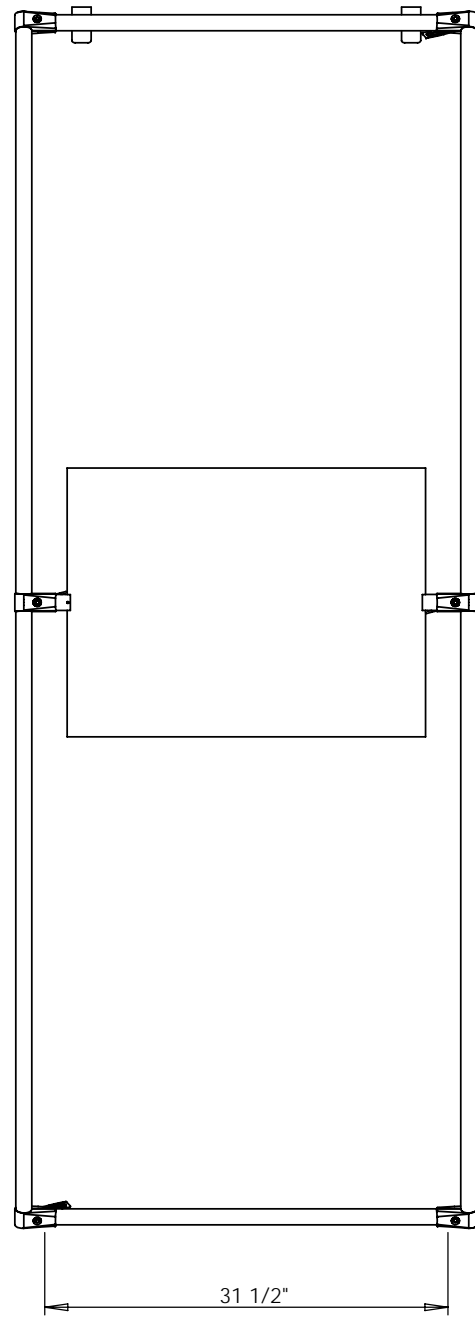
A

D

C

B

A



8 7 6 5 4 3 2 1

PROPRIETARY AND CONFIDENTIAL
 THE INFORMATION CONTAINED IN THIS
 DRAWING IS THE SOLE PROPERTY OF
 Nichols Inc. ANY REPRODUCTION IN PART
 OR AS A WHOLE WITHOUT THE WRITTEN
 PERMISSION OF Nichols Inc. IS PROHIBITED.

Job #	
Initials	Date
TM	

Nichols Inc		
Extended projection screen standoff		
SIZE B	DWG. NO. 001	REV
SCALE: 1:50	WEIGHT:	SHEET OF

